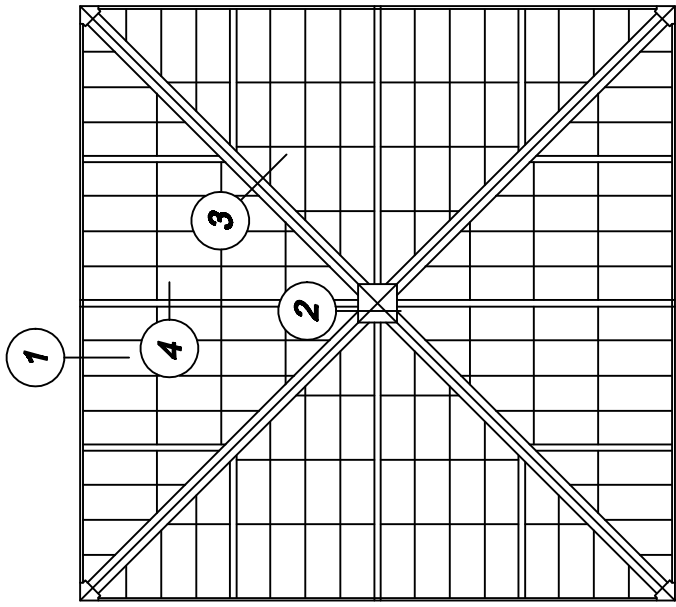
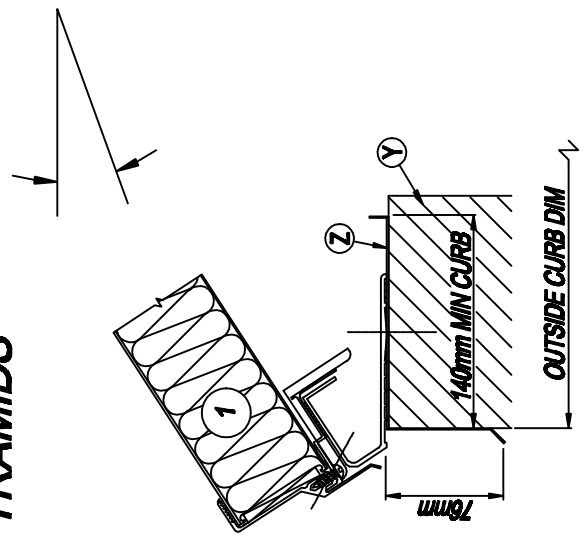


STANDARD SLOPES
 20°
 27.25°
 33.33°
 45°

PYRAMIDS



**STANDARD KALWALL DETAILS
 ASSORTED PYRAMID DETAILS**

Stokes Systems Ltd. 1, Banstead road, Purley, Surrey. CR8 3EB
 Tel: 020 8990 7067 Fax: 020 8990 5707 Email: design@stokes.co.uk

This drawing is copyright and may not be reproduced in whole or in part without written consent of Stokes Systems Limited.

STOKES
 STOKES SYSTEMS LTD

Detail Ref.	
08R-STD/12	
Date. 1905/97	Rev. D
System. 08T	Scale. 1=2