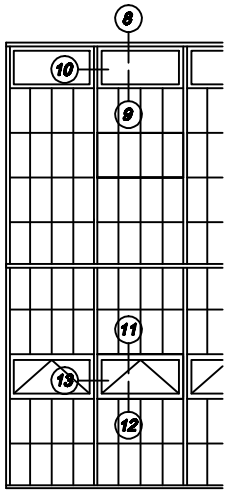
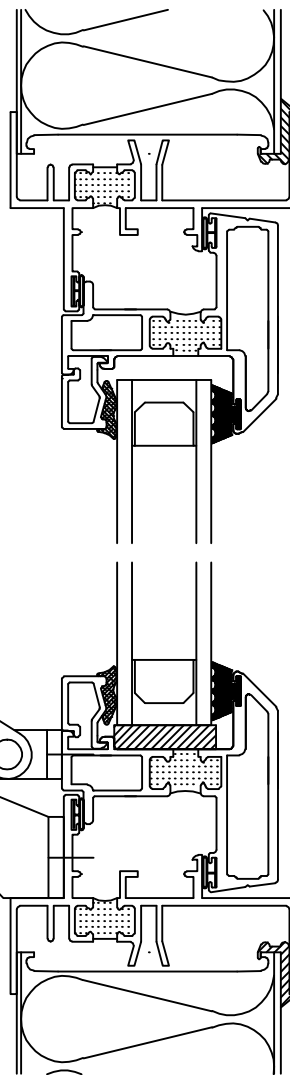


08T-STD/11

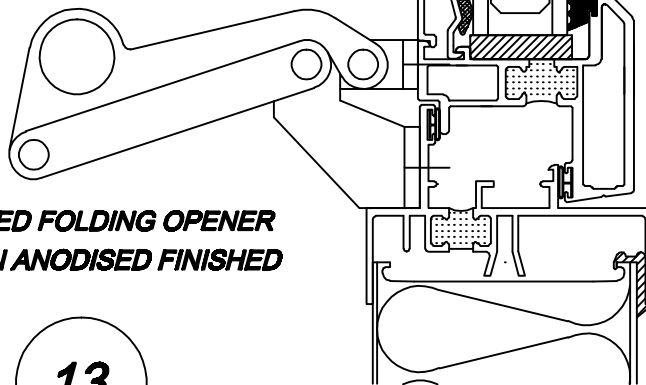


KEY ELEVATION

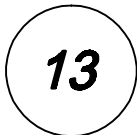


**NOTE:
TRICKLE VENTILATION
CAN BE SUPPLIED IF
REQUIRED.**

PROJECT-OUT SASH

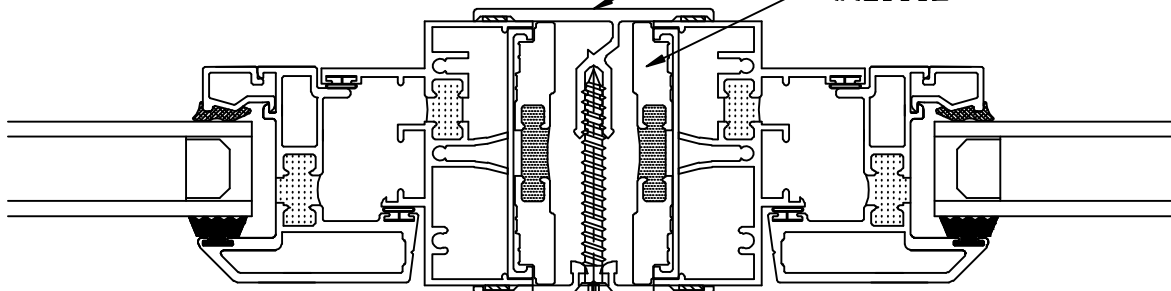


**LINKED FOLDING OPENER
SATIN ANODISED FINISHED**



64mm [2 1/2"] WALL BATTEN

#12SSSE



WINDOW DIMENSION

**32mm
[1 1/4"]**

WINDOW DIMENSION

WINDOW DIMENSION

PANEL DIMENSION

*** DENOTES CONTINUOUS SUPPORT STRUCTURE NOT BY KALWALL INSTALLER**

**(*) DENOTES ADJUSTMENT SHIMS TO BE SUPPLIED BY KALWALL INSTALLER
TO ACCOMMODATE SECONDARY STEEL TOLERANCES, ENGINEER TO ADVISE TOLERANCES.**

**KALWALL HC-2000 SERIES PROJECT-OUT SASH
THERMALLY BROKEN WALL PANEL DETAILS**

Stokes Systems Ltd. 1, Banstead road, Purley, Surrey. CR0 3EB
Tel: 020 8990 7867 Fax: 020 8990 5707 Email: design@stokes.co.uk

STOKES
STOKES SYSTEMS LTD

Detail Ref.

08T-STD/11

Date. Jan. 2004

Rev. **D**

System. 08T

Scale. 1=2